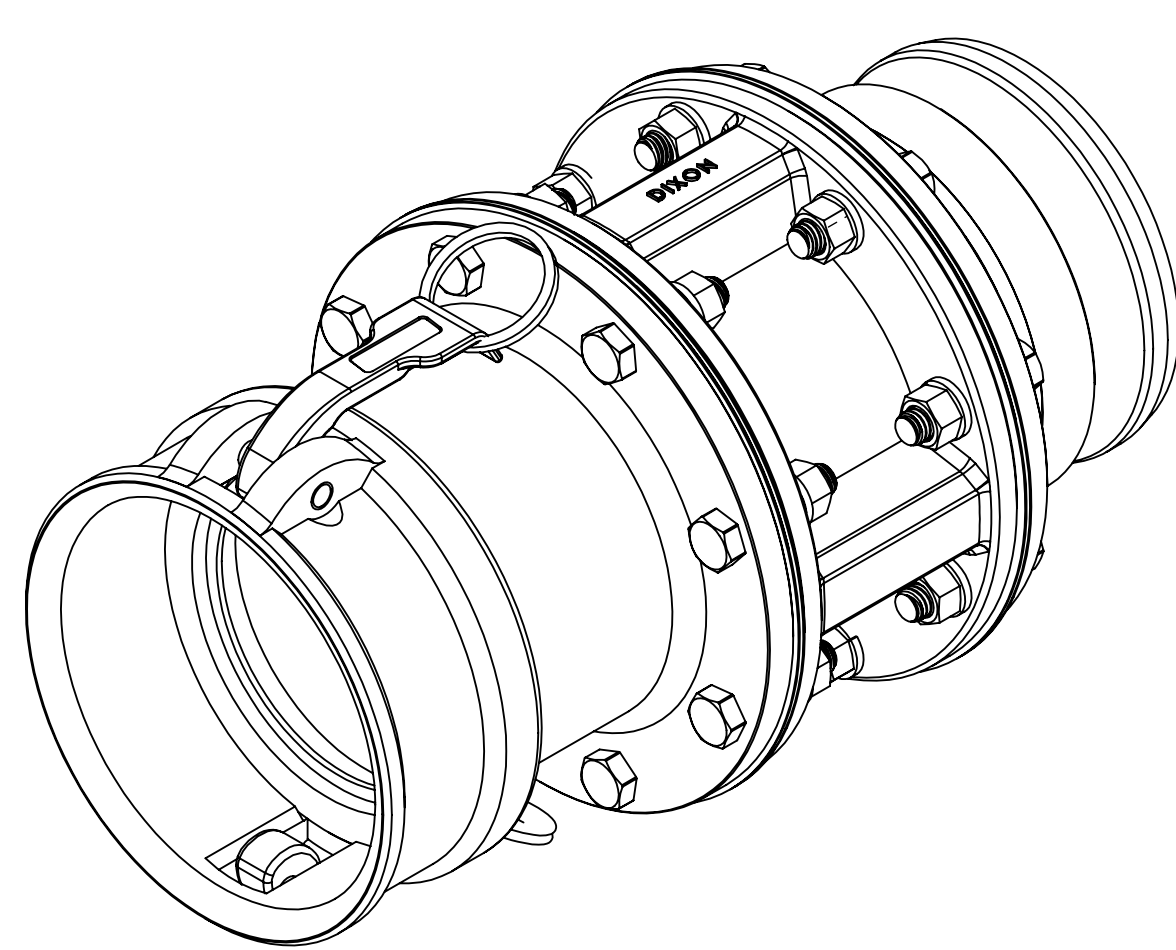
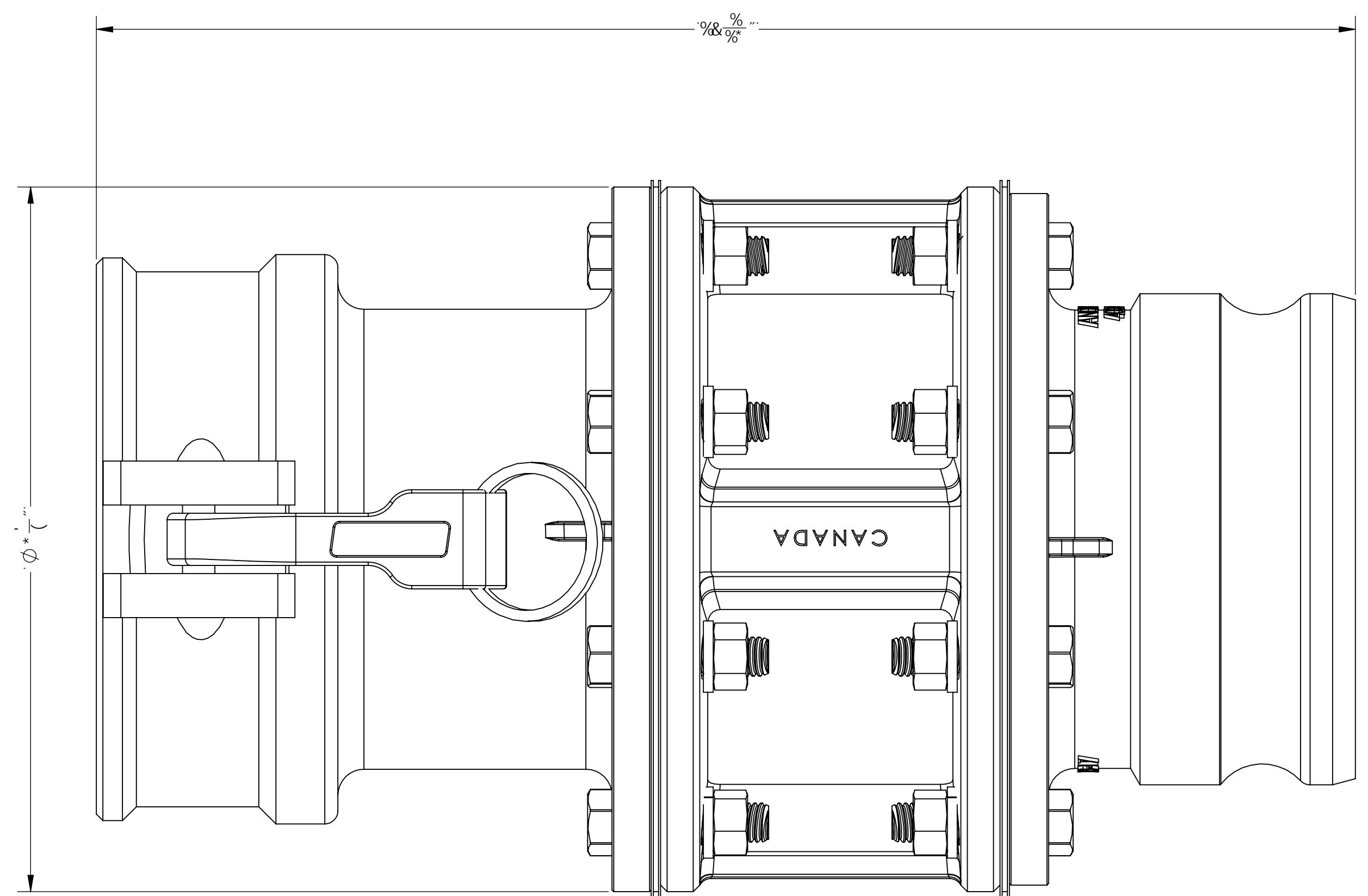
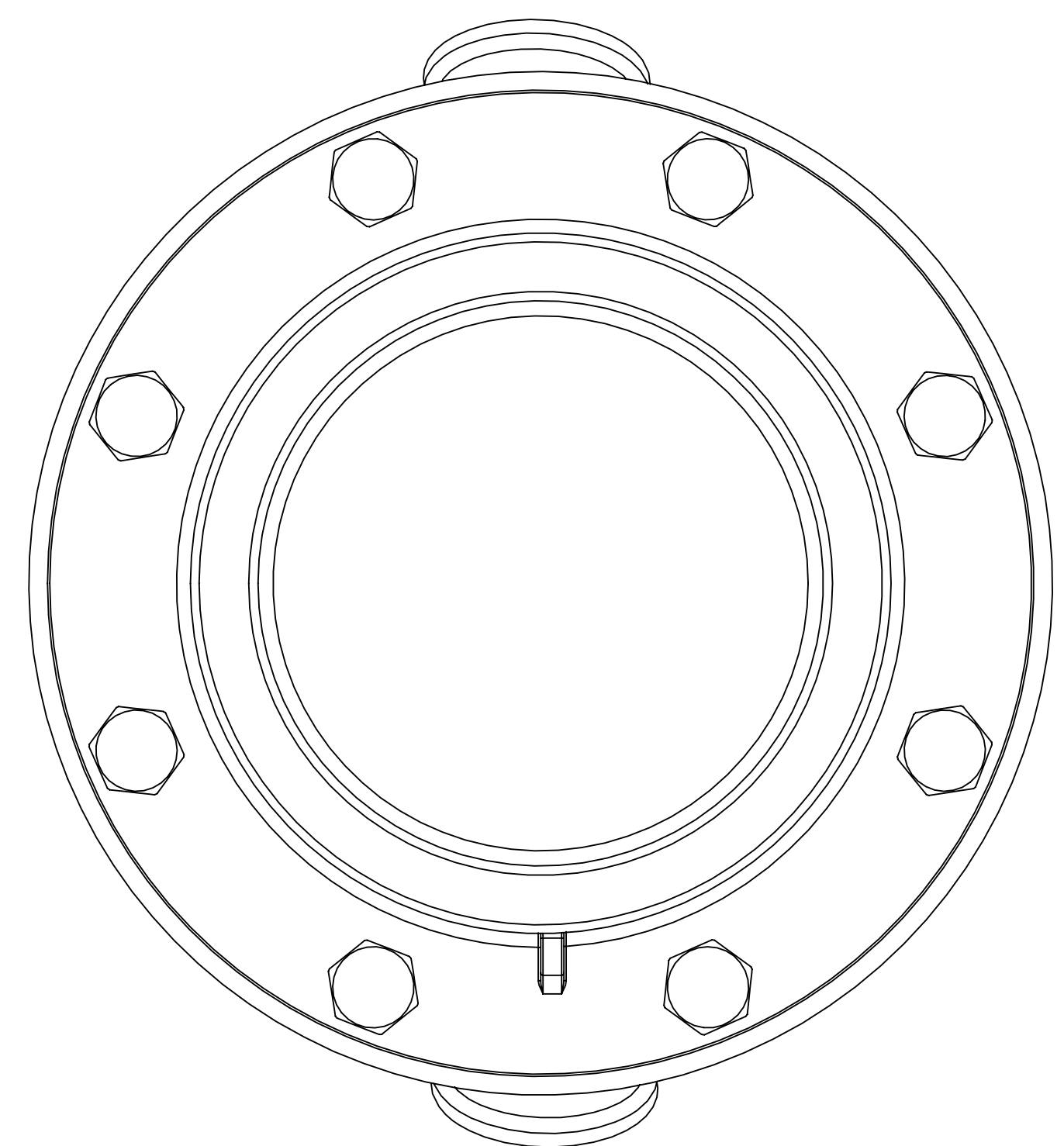
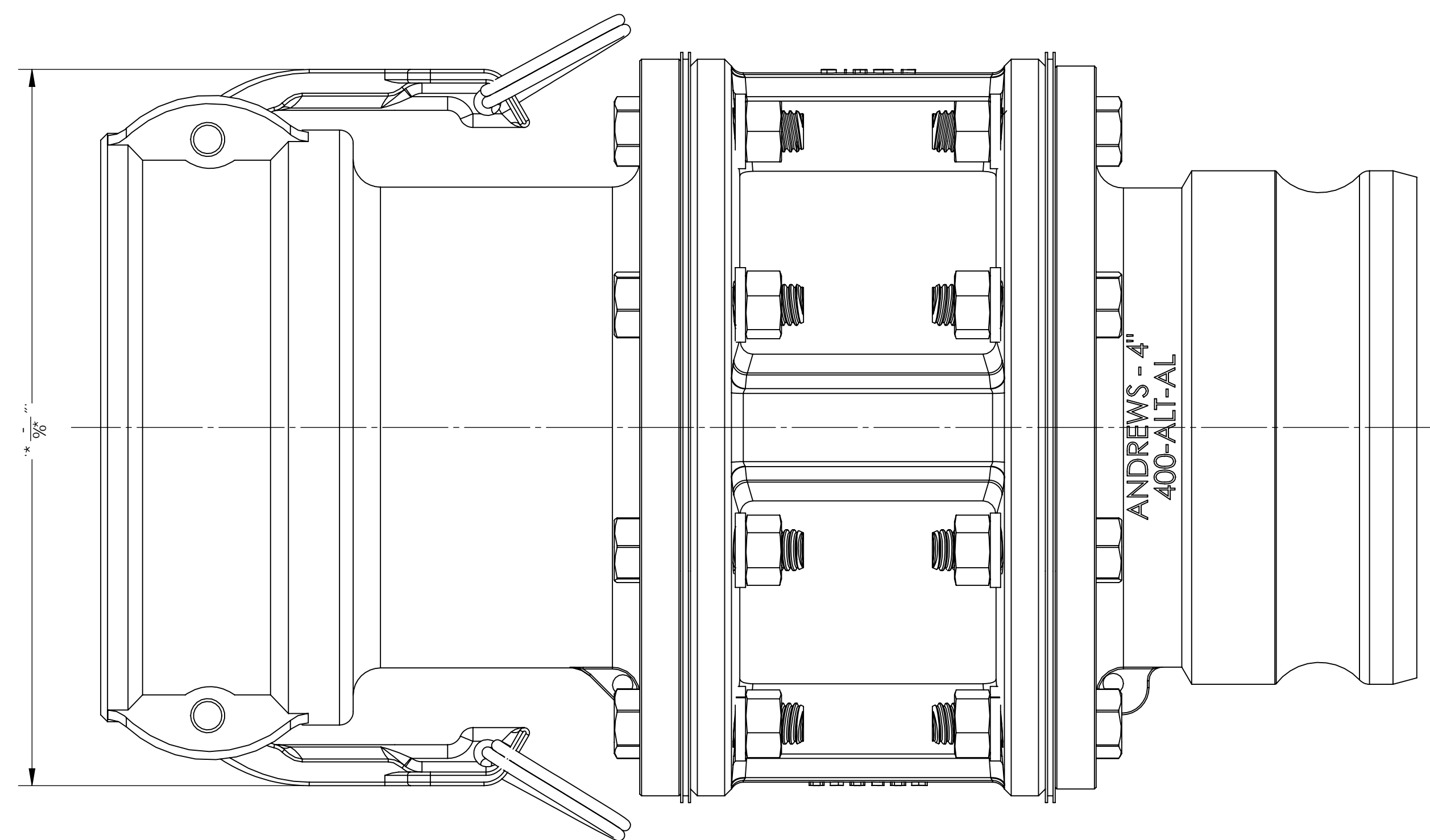


F9J-GCBG			
F9J	89G7 F-BHC-B	85HP	5DDFC J 98
5	F9095 G9)# 485%(: 5<@



8 J l cb 6 UmW 1 G5		H4H8	
7 j b l b b l h e c l j e z i l ' 0 5 5 8 J 7 7 4 W 7 c a d t m		G4 < H ; @ GG 5 GG 9 A 6 @	
<small>H-618FSK-B; -67CB; -89HS (DFC)DFHM C: 84CB 83M/C1 0528 944040C: 8177 588 45G 6-27H4 9214 F8CB 85A580 ①7C0M2 = H8855 8C BCT7CDM</small>			
8 a " H C @ F 5 B 7 G 1 B @ G G G 2 9 7 c - 4 8 8 7 - 4 1 1 2 7 3 8 ; 8 7 1 - 8 9 ; 8 7 1 4 8 2 8 1 8 L L L 2 4 3 8 ; 8 7 1 - 8 9 ; 8 7 1 4 8 2 8 1 8 S L ; @ 2 1 8		GAB 8 FSK B 6 M	8 K ; B C "
G75 @ : 1 @ @ 8 5 H 9) 8 \$ 7 5 ! 7 G H 5	
G 5 @ : 1 @ @ 8 5 H 9		S) A 5 M 8 \$ % (
		G 4 9 9 H % " C " " %	